

## MTF-8 FOOT PEDAL

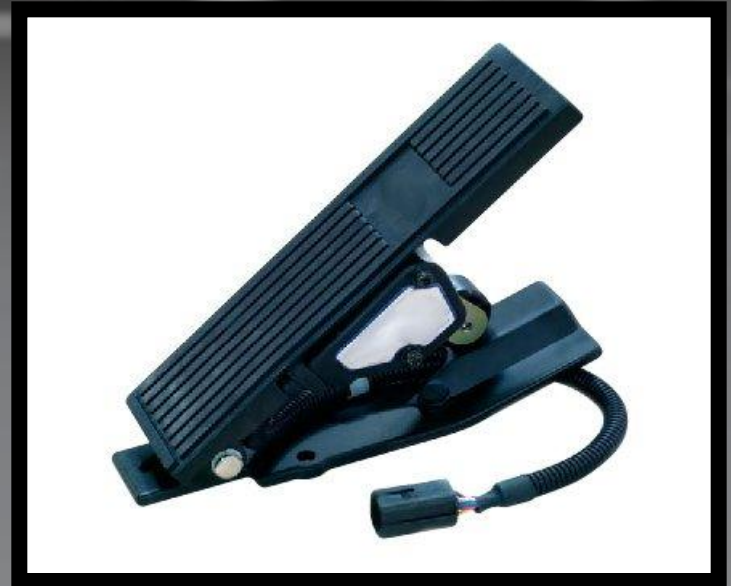
### OVERVIEW

The F8 is a floor mounted, single axis foot pedal utilizing dual haul effect non-contacting sensors.

The pedal utilizes a secondary safety limit switch with normally open and normally closed contacts. These contacts can be used as inputs into a control system.

The rugged design is fully sealed (IP67) for heavy duty mobile applications. The pedal design can be customized as required by the OEM.

The standard cable connection is Deutsch DT series connector. Other cable links and connectors can be specified on an as needed basis.



**MTF-8 Foot Pedal**  
**Mfg# -GS11009-008**

### FEATURES

- Rugged design and fully sealed
- Non-Contacting sensors
- Customizable
- Deutsch connector

### SPECIFICATIONS

#### Mounting

4 Bolt Mount (mounting holes ¼ in.)

#### Environmental Rating

IP67

#### Angle of Actuation

20°

#### Operating Temperature

-40° C to +85° C

#### Life Cycles

>10,000,000 Full Cycles

>80,000,000 Dither Cycles

#### Vibration

20 Hrs, 20 to 200 Hz per axis

#### EMI

ISO11452-2,5 at 150V/M

# MTF-8 FOOT PEDAL

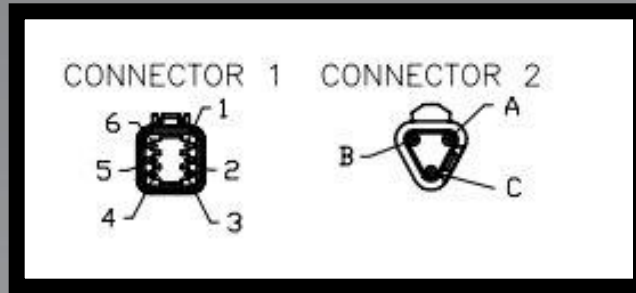
## CONNECTIONS

Connector 1

Pin Location	Description	Color
1	Power Input 1, 5VDC	Red
2	Pedal Signal 1 (0.5 to 4.5VDC)	Green
3	Ground 1	Black
4	Switch Signal	Yellow
5	Switch, NO (5VDC 15mA Max)	Blue
6	Switch, NC (5VDC 15mA Max)	Pink

Connector 2

Pin Location	Description	Color
A	Power Input 2, 5VDC	White
B	Pedal Signal 2 (4.5 to 0.5VDC)	Orange
C	Ground 2	Brown



## MATING CONNECTOR INFORMATION

Connector 1

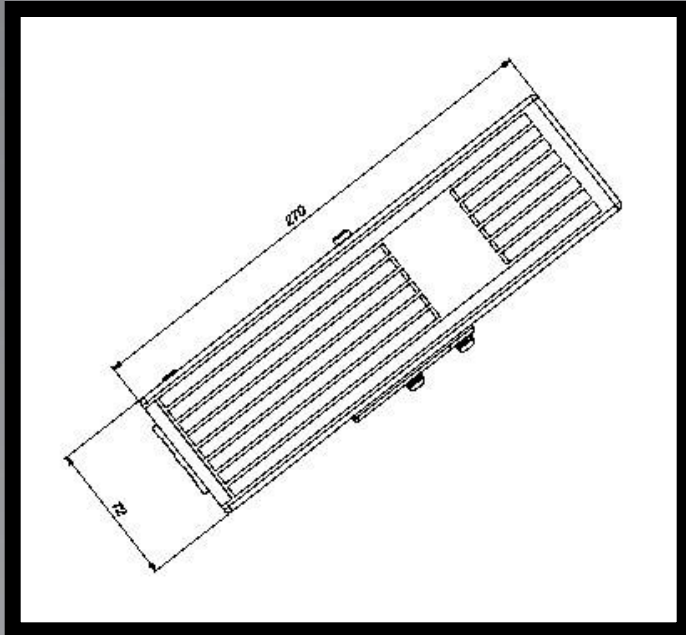
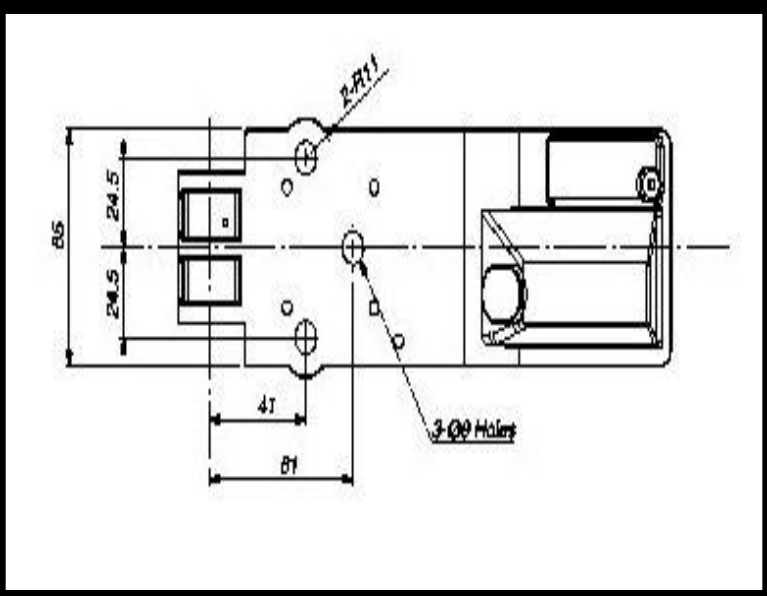
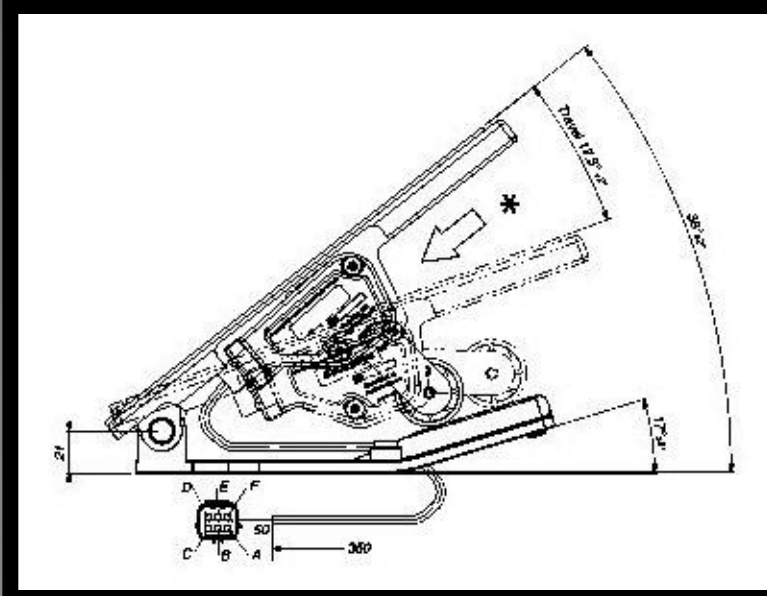
Deutsch DT06-6S Connector  
 Deutsch W6S Wedge Lock  
 Deutsch 0462-201-16141 Socket Terminal  
 Deutsch 114017 Cavity Plug

Connector 2

Deutsch DT06-3S Connector  
 Deutsch W3S Wedge Lock  
 Deutsch 0462-201-16141 Socket Terminal

# MTF-8 FOOT PEDAL

## HOUSING



!!!!!!!!!!!!!!WARNING!!!!!!!!!!!!!!

**FAILURE OR IMPROPER SELECTION OR IMPROPER USE OF THE PRODUCT AND/OR SYSTEMS DESCRIBED HEREIN OR RELATED ITEMS CAN CAUSE DEATH, PERSONAL INJURY AND PROPERTY DAMAGE**

This document and other information from GS North America LLC its subsidiaries and authorized distributors provide product and/or system options for further investigations by users having technical expertise. It is important that you analyze all aspects of your application, including consequences of any failure, and review the information concerning the products or systems, the user, through its own analysis and testing, is solely responsible for making the final selection of the products and systems and assuring that all performance, safety and warning requirements of the application are met. The products described herein, including without limitation, product features, specifications, designs, availability and pricing, are subject to change by GS North America LLC and its subsidiaries at any time without notice