

MTS-7 FOOT PEDAL

OVERVIEW

The S7 is a wall mounted, single axis foot pedal utilizing dual haul effect non-contacting sensors.

The pedal utilizes a secondary safety limit switch with normally open and normally closed contacts. These contacts can be used as inputs into a control system.

The rugged design is fully sealed (IP67) for heavy duty mobile applications. The pedal design can be customized as required by the OEM.

The standard cable connection is Deutsch DT series connector. Other cable links and connectors can be specified on an as needed basis.

FEATURES

- Rugged design and fully sealed
- Non-Contacting sensors
- Customizable
- Deutsch connector



MTS-7 Foot Pedal
Mfg# -GS1009-107

SPECIFICATIONS

Mounting

4 Bolt Mount (mounting holes 1/4 in.)

Environmental Rating

IP67

Angle of Actuation

17°

Operating Temperature

-40° C to +85° C

Life Cycles

>10,000,000 Full Cycles

>80,000,000 Dither Cycles

Vibration

20 Hrs, 20 to 200 Hz per axis

EMI

ISO11452-2,5 at 150V/M

Sensor Detail



MTS-7 FOOT PEDAL

CONNECTIONS

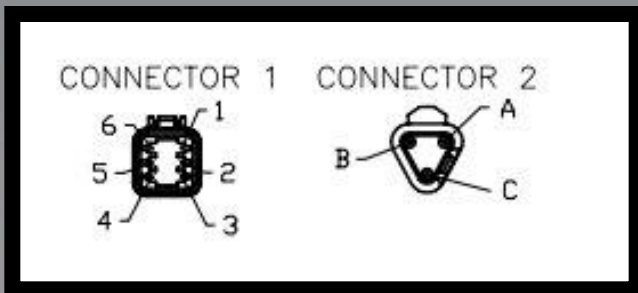
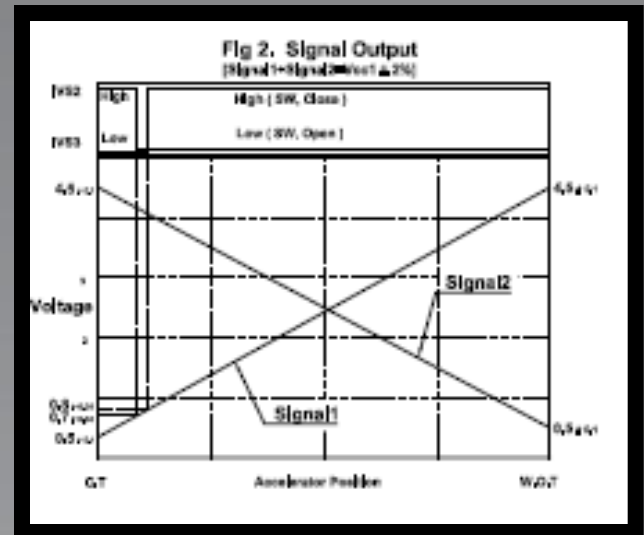
Connector 1

| Pin Location | Description | Color |
|--------------|--------------------------------|--------|
| 1 | Power Input 1, 5VDC | Red |
| 2 | Pedal Signal 1 (0.5 to 4.5VDC) | Green |
| 3 | Ground 1 | Black |
| 4 | Switch Signal | Yellow |
| 5 | Switch, NO (5VDC 15mA Max) | Blue |
| 6 | Switch, NC (5VDC 15mA Max) | Pink |

Connector 2

| Pin Location | Description | Color |
|--------------|--------------------------------|--------|
| A | Power Input 2, 5VDC | White |
| B | Pedal Signal 2 (4.5 to 0.5VDC) | Orange |
| C | Ground 2 | Brown |

Signal Output



MATING CONNECTOR INFORMATION

Connector 1

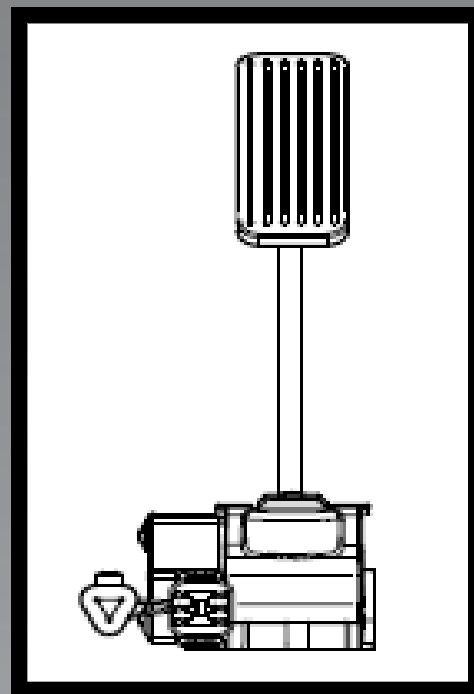
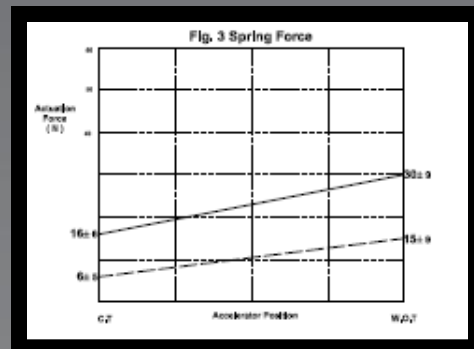
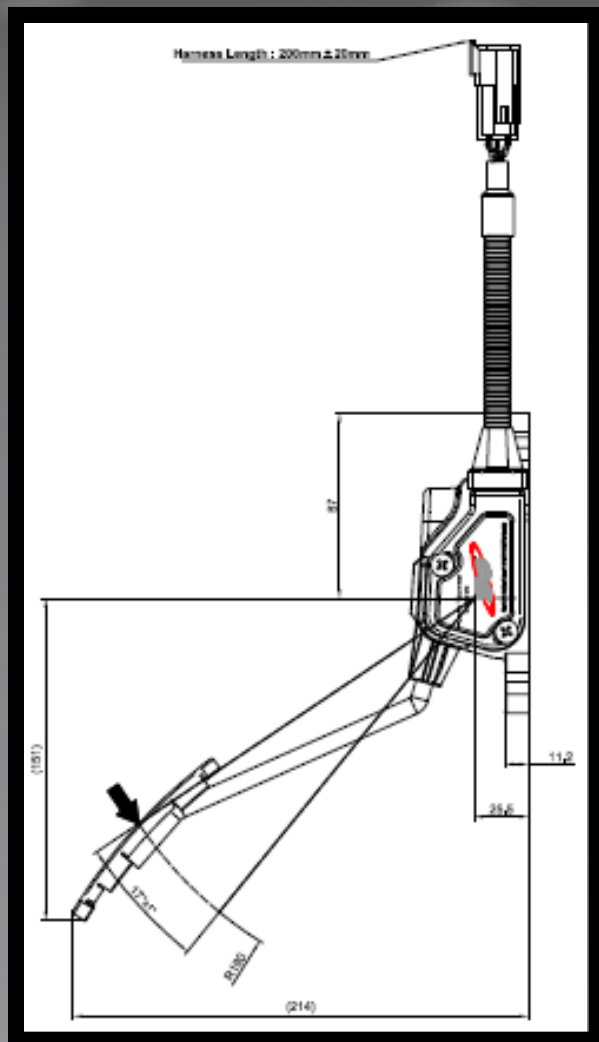
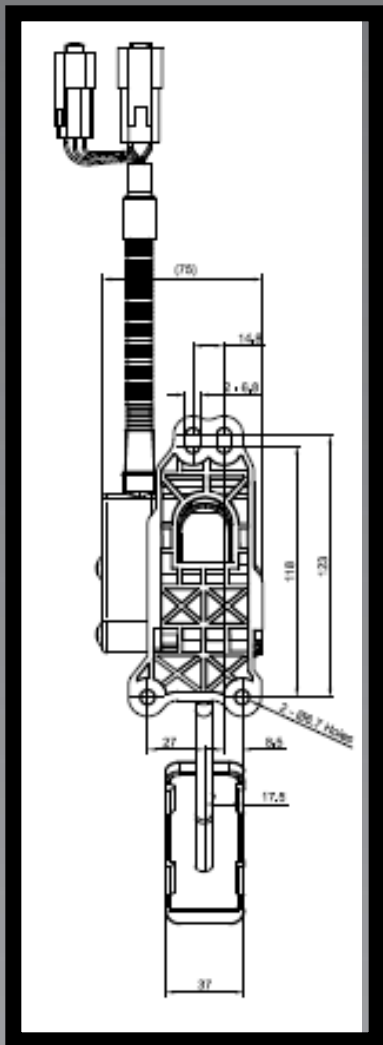
Deutsch DT06-6S Connector
 Deutsch W6S Wedge Lock
 Deutsch 0462-201-16141 Socket Terminal
 Deutsch 114017 Cavity Plug

Connector 2

Deutsch DT06-3S Connector
 Deutsch W3S Wedge Lock
 Deutsch 0462-201-16141 Socket Terminal

MTS-7 FOOT PEDAL

HOUSING



!!!!!!!!!!!!!!WARNING!!!!!!!!!!!!!!

FAILURE OR IMPROPER SELECTION OR IMPROPER USE OF THE PRODUCT AND/OR SYSTEMS DESCRIBED HEREIN OR RELATED ITEMS CAN CAUSE DEATH, PERSONAL INJURY AND PROPERTY DAMAGE

This document and other information from GS North America LLC its subsidiaries and authorized distributors provide product and/or system options for further investigations by users having technical expertise. It is important that you analyze all aspects of your application, including consequences of any failure, and review the information concerning the products or systems, the user, through its own analysis and testing, is solely responsible for making the final selection of the products and systems and assuring that all performance, safety and warning requirements of the application are met. The products described herein, including without limitation, product features, specifications, designs, availability and pricing, are subject to change by GS North America LLC and its subsidiaries at any time without notice