

I-SELECT I/O MODULE

OVERVIEW

The I-Select Module is a printed circuit board CAN-bus I/O module for applications that require multiple analog and digital inputs, as well as digital outputs.

The module is designed to be a node on a CAN-bus, operating at 250 kbps with a 29-bit extended CAN identifier. As such, it will work with any J1939 or 250 kbps CANopen system.

In addition, this module can be used to accept inputs from existing operator controls (joysticks, switches, speed potentiometers) and encode them for messaging over the CAN-bus. This allows for the use of familiar controls in a CAN environment.

The I-Select Module is available as a stand-alone unit or installed in a sealed Cinch SE enclosure. It is designed specifically for off-highway applications where rugged controls and long life are absolute requirements.

Housing:

GS07357100: 5.76" x 5.99" x 2.18"
 GS07357101: 4.5" x 4.6" x 0.57"

Diagnostics:

Supply:

Voltage Range of 9 to 32 VDC (reverse polarity protection)

Outputs:

8 Digital Outputs (250 mA max at system voltage)

Maximum current per module:

Inputs:

24 total inputs
 12 Digital (5 to 32 VDC)
 12 Configurable as Analog (0 to 5V) or Digital (V)

CAN Protocol:

CAN Source Address:

SA 100-107 (set using dip switches)



**Mfg#-GS07357100
 (WITH ENCLOSURE)**



**Mfg#-GS07357101
 (LESS ENCLOSURE)**

Operating Temperature:

-40° C to +80° C (-40° F to 176° F)

Storage Temperature:

-40° C to +80° C (-40° F to 176° F)

PGN Numbers:

Environmental Protection:

GS07357100: IP67
 GS07357101: None- as it is a stand-alone module

The I-Select Module is available in two versions to meet your environmental protection requirements.

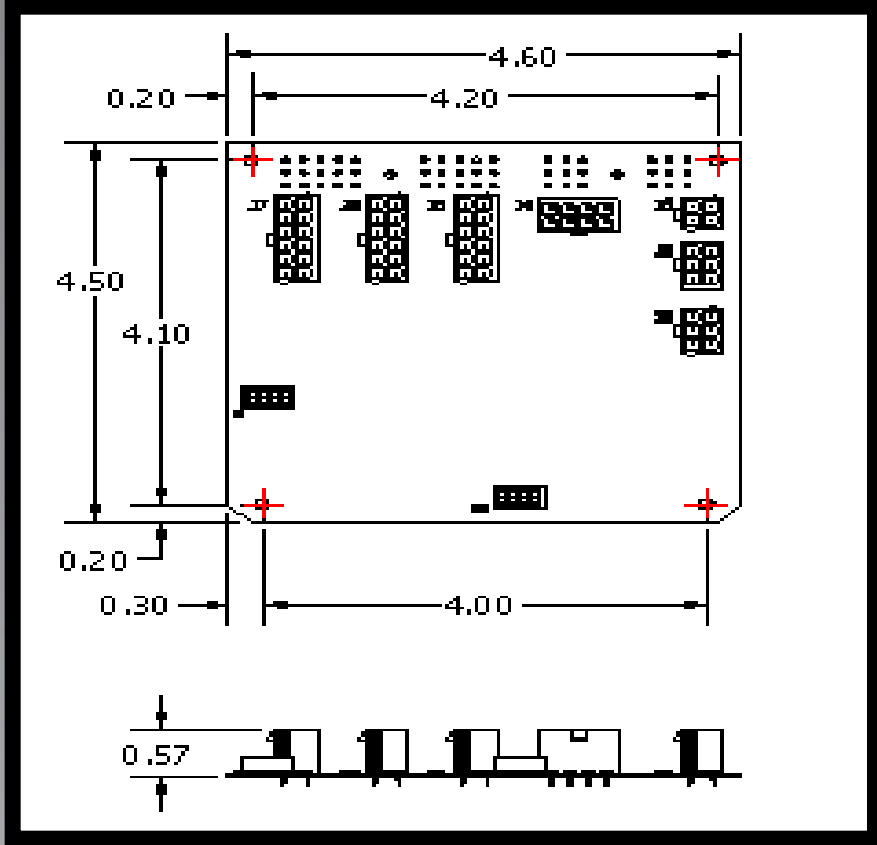
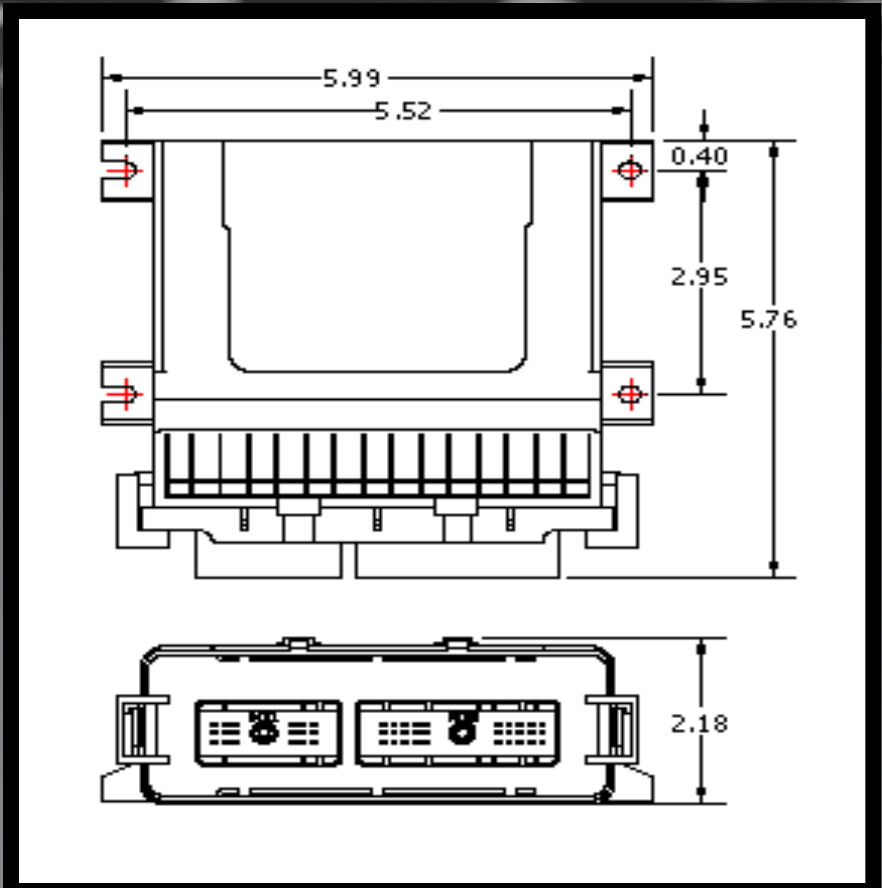
Stand-alone: for in-cab applications

IP67 Sealed Cinch SE Enclosure: for outdoor applications

Circuit Protection:

I-SELECT I/O MODULE

Mfg#-GS07357100
Sealed Cinch enclosure
IP67 environmental rating



Mfg#-GS07357101
Stand alone board for
Control box installations

I-SELECT I/O MODULE

CONNECTIONS

GS07357100:

18-Pole Cinch connector p/n:581-01-18-023
30-Pole Cinch connector p/n: 581-01-30-029
Terminal (20GXL, 18 TXL) p/n: 425-00-00-872
Terminal (18GXL, 16 TXL, 16GXL) p/n: 425-00-00-873
Cavity Seal Plug Cinch p/n: 581-00-00-011

GS07357101:

(J1,J2) Molex 6-Pole p/n: 39-01-2060
(J3) Molex 4-Pole p/n: 39-01-2040
(J4) Molex 8-Pole p/n: 39-01-2080
(J5, J6, J7) Molex 12-Pole p/n: 39-01-2120
Terminal (18-24 AWG, gold plated) Molex p/n: 39-00-0164
Terminal (16 AWG, gold plated) Molex p/n: 39-00-0168

INSTALLATION

GS07357100 comes installed in an IP67 Cinch SE Enclosure and is mounted (Qty. 4) using #10-24 or M5 screws.

GS07357101 is a stand-alone module and is mounted in a sealed environment using (Qty. 4) #4-40 OR M2.5 screws with threaded standoffs.

!!!!!!!!!!!!!!WARNING!!!!!!!!!!!!!!

FAILURE OR IMPROPER SELECTION OR IMPROPER USE OF THE PRODUCT AND/OR SYSTEMS DESCRIBED HEREIN OR RELATED ITEMS CAN CAUSE DEATH, PERSONAL INJURY AND PROPERTY DAMAGE

This document and other information from GS North America LLC its subsidiaries and authorized distributors provide product and/or system options for further investigations by users having technical expertise. It is important that you analyze all aspects of your application, including consequences of any failure, and review the information concerning the products or systems, the user, through its own analysis and testing, is solely responsible for making the final selection of the products and systems and assuring that all performance, safety and warning requirements of the application are met. The products described herein, including without limitation, product features, specifications, designs, availability and pricing, are subject to change by GS North America LLC and its subsidiaries at any time without notice