



GS NORTH AMERICA-TOTAL MACHINE CONTROL

I-SELECT I/O MODULE GS07357100REV_ (With Enclosure) GS07357101REV_ (Less Enclosure)

Overview:

The I-Select module is a printed circuit board CAN-bus I/O module for applications that require multiple analog and digital inputs, as well as digital outputs.

The module is designed to be a node on a CAN-bus operating at 250 kbps with a 29-bit extended CAN identifier, therefore it will work with any J1939 or 250 kbps CANopen system. The module is available as a stand-alone unit or installed in a sealed Cinch SE enclosure.

The I-Select module has 24 inputs (12 digital, and 12 that are configurable as analog or digital) as well as 8 digital outputs.

Mechanical:

- The I-Select module is designed specifically for off-highway applications where rugged controls and long life are absolute requirements.

System Features:

- The I-Select module is available in two versions to meet your environmental protection requirements. Use the stand-alone module for in-cab applications, and the IP67 sealed Cinch SE enclosure version for outdoor applications.

GS07357100REV_



GS07357101REV_



Electrical:

- The I-Select module can be used to accept inputs from existing operator controls such as joysticks, switches, speed potentiometers, etc. and encode them for messaging over the CAN-bus. This allows for the use of the same familiar controls in a CAN environment.
- The module can work with the IQAN MDL, MDL2, MD3, MC2, TOC8, and MDM (utilizing an XT2 module).
- The CAN source address is entered manually using dip switches allowing "on the fly" changes without the use of proprietary software.

Electrical Features:

- -40°C to +80°C operational/storage temperature range
- 9-32 VDC operational voltage range, fused with reverse polarity protection
- CAN communication with 2 connection points
- CAN source address set using manual dip switches
- System ignition input controls the ON/OFF state of the module, off-state current draw < 10 mA



800.261.8735
Email info@GSNA.com
www.GSNA.com



GS NORTH AMERICA-TOTAL MACHINE CONTROL

I-SELECT I/O MODULE

GS07357100REV_ (With Enclosure)

GS07357101REV_ (Less Enclosure)

Electrical Specifications:

Supply: Range 9-32 VDC

Inputs: 24 total inputs
12 digital (5-32 VDC)
12 configurable as analog (0-5V) or digital (5V)

Outputs: 8 digital (250 mA max @ system voltage)

CAN Source Address: SA 100-107 (set using dip switches)

Installation:

The GS07357100REV_ I-Select comes installed in an IP67 Cinch SE enclosure and is mounted using (qty. 4) #10-24 or M5 screws.

The GS07357101REV_ I-Select is a stand-alone module and is mounted in a sealed environment using (qty. 4) #4-40 or M2.5 screws with threaded standoffs.

Mating Connector Information:

GS07357100REV_:

18-pole Cinch connector p/n: 581-01-18-023
30-pole Cinch connector p/n: 581-01-30-029
Terminal (20 GXL, 18 TXL) p/n: 425-00-00-872
Terminal (18 GXL, 16 TXL, 16 GXL) p/n: 425-00-00-873
Cavity seal plug Cinch p/n: 581-00-00-011

GS07357101REV_:

(J1, J2) Molex 6-pole p/n: 39-01-2060
(J3) Molex 4-pole p/n: 39-01-2040
(J4) Molex 8-pole p/n: 39-01-2080
(J5, J6, J7) Molex 12-pole p/n: 39-01-2120
Terminal (18-24 AWG, gold plated) Molex p/n: 39-00-0164
Terminal (16 AWG, gold plated) Molex p/n: 39-00-0168

Environmental Specifications

Operating temperature: -40°C to +80°C

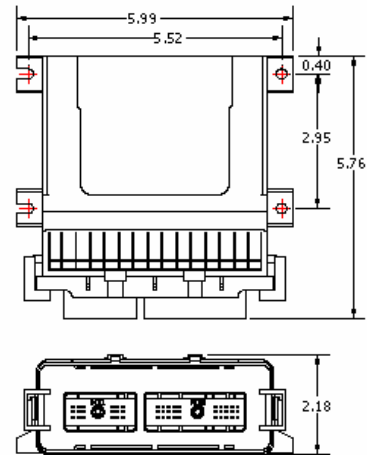
Storage temperature: -40°C to +80°C

Environmental protection:

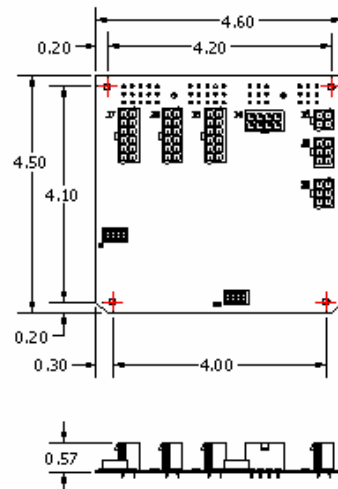
GS07357100REV_: IP67

GS07357101REV_: None (stand-alone module)

GS07357100REV_



GS07357101REV_



800.261.8735

Email info@GSNA.com

www.GSNA.com

!!!!!!!!!!!!!!WARNING!!!!!!!!!!!!!!

FAILURE OR IMPROPER SELECTION OR IMPROPER USE OF THE PRODUCT AND/OR SYSTEMS DESCRIBED HEREIN OR RELATED ITEMS CAN CAUSE DEATH, PERSONAL INJURY AND PROPERTY DAMAGE

This document and other information from GS North America LLC its subsidiaries and authorized distributors provide product and/or system options for further investigations by users having technical expertise. It is important that you analyze all aspects of your application, including consequences of any failure, and review the information concerning the products or systems, the user, through its own analysis and testing, is solely responsible for making the final selection of the products and systems and assuring that all performance, safety and warning requirements of the application are met. The products described herein, including without limitation, product features, specifications, designs, availability and pricing, are subject to change by GS North America LLC and its subsidiaries at any time without notice