



aerospace  
climate control  
electromechanical  
filtration  
fluid & gas handling  
**hydraulics**  
pneumatics  
process control  
sealing & shielding



# IQAN-XA2 I/O Modules

Electronic Control Systems



ENGINEERING YOUR SUCCESS.

### Application

The IQAN-XA2 is an IQANdesign platform expansion module in the IQAN product group. This unit is designed for high digital I/O count, weather resistance, and safety.

All IQAN expansion modules communicate with a master over a CAN bus. The IQAN-XA2 module has increased I/O flexibility that allows the user greater freedom in defining signals for measurement and control.

### I/O flexibility

#### Inputs

The IQAN-XA2 module has eight voltage inputs for connection of 0-5 Vdc signals. Four of the inputs are multi-purpose and for flexibility may be configured as frequency inputs or as directional frequency (quadrature) inputs for measuring speed and position.

#### Outputs

The XA2 module has six on-off outputs that are high-side power outputs.

The XA2 module also has six double proportional outputs for controlling proportional valves. These outputs can control six bi-directional valve sections or six single solenoid devices (ie. proportional cartridge valves).

The proportional outputs can be used in two different modes. Either Current mode (current closed-loop) or PWM mode (voltage open-loop) signals can be selected and the parameters configured using IQAN software.

For flexibility these outputs may also be configured as up to six on/off outputs and up to twelve on/off inputs. The proportional outputs, on-off outputs and on-off inputs share pin positions.

#### Weather resistance

The aluminum housing is designed to be rugged, but light and has a sealed, automotive AMP/Tyco power timer connector. The IQAN-XA2 has a membrane to prevent condensation inside the housing. This controller is designed for the outdoor environment.

#### Safety

The unit executes a self-test during start up and cyclic operation. An internal watch dog checks for software errors and will interrupt outputs if errors are detected. The IQAN-XA2 is made using selected components and conforms to strict international requirements.

Diagnostics: If an error is detected an LED on the top of the controller flashes a sequence to indicate the nature of the error.

#### General

Weight	0.7 Kg
Temperature range	
Operating, ambient	-40 to +70 °C
Storage, ambient	-40 to +85 °C
Protection	outdoor use
Voltage supply	11- 32 Vdc
Current consumption (idle)	180 mA (28 Vdc) 170 mA (14 Vdc)
Data interface	Parker ICP (IQAN CAN Protocol)

#### Outputs

Proportional outputs	
Type current mode	current - closed-loop
PWM mode	voltage - open-loop
Signal range	100 - 2000 mA
Dither frequency	25 - 333 Hz
Resolution	1 mA
Digital outputs	
Type	high side switch
Max load	2 A

#### Inputs

Voltage inputs	
Signal range	0 - 5 Vdc
Resolution	5 mV
Frequency inputs	
Signal range (speed mode)	2 - 30000 Hz
(position mode)	0 - 30000 Hz
Quadrature inputs	
Signal range (speed mode)	2 - 30000 Hz
(position mode)	0 - 30000 Hz
Digital inputs	
Signal high	4 Vdc - V <sub>BAT</sub>
Signal low	0 - 1 Vdc

#### Ordering part number

IQAN-XA2	5010033
----------	---------

## Environmental protection

### EMI

ISO 14982:1998, Radiated emission  
EN 55025:2003, Conducted emission  
ISO 11452-2:1995, Radiated susceptibility  
ISO 11452-4:2001, Conducted susceptibility  
ISO 7637-2:2004, Conducted transient  
ISO 7637-3:1995, Conducted transient  
EN 61000-4-8:1993, Magnetic field

### ESD

ISO 10605:2001, ESD

### Mechanical environment

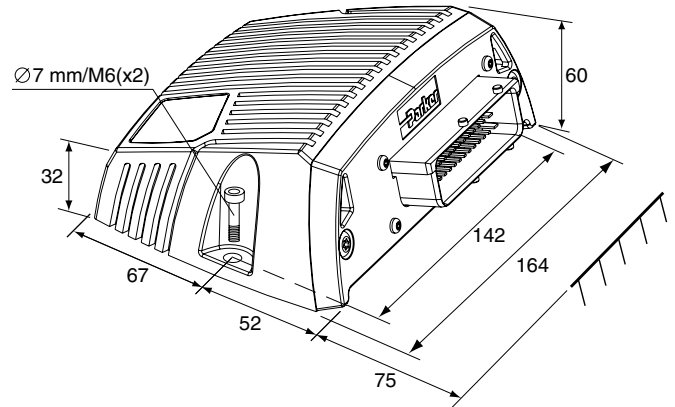
IEC 60068-2-64:1993 Fh, Random vibration  
IEC 60068-2-29:1987 Eb, Bump

### Climate environment

IEC 60529:2001, Enclosure protection  
DIN 40050 Part 9:1993, Enclosure protection  
IEC 60068-2-30:1985 Db, Damp heat cyclic  
IEC 60068-2-78:2001, Damp heat, steady state  
IEC 60068-2-14:1984 Nb, Change of temperature

### Chemical environment

IEC 60068-2-52:1996 Kb, Salt mist



unit=mm

## **WARNING**

**FAILURE OR IMPROPER SELECTION OR IMPROPER USE OF THE PRODUCTS AND/OR SYSTEMS DESCRIBED HEREIN OR RELATED ITEMS CAN CAUSE DEATH, PERSONAL INJURY AND PROPERTY DAMAGE.**

This document and other information from Parker Hannifin Corporation, its subsidiaries and authorized distributors provide product and/or system options for further investigation by users having technical expertise. It is important that you analyze all aspects of your application, including consequences of any failure, and review the information concerning the product or system in the current product catalogue. Due to the variety of operating conditions and applications for these products or systems, the user, through its own analysis and testing, is solely responsible for making the final selection of the products and systems and assuring that all performance, safety and warning requirements of the application are met.

The products described herein, including without limitation, product features, specifications, designs, availability and pricing, are subject to change by Parker Hannifin Corporation and its subsidiaries at any time without notice.

## **Offer of Sale**

Please contact your Parker representation for a detailed "Offer of Sale".

# Parker Worldwide

**AE – UAE, Dubai**  
Tel: +971 4 812 7100  
parker.me@parker.com

**AR – Argentina, Buenos Aires**  
Tel: +54 3327 44 4129

**AT – Austria, Wiener Neustadt**  
Tel: +43 (0)2622 23501-0  
parker.austria@parker.com

**AT – Eastern Europe, Wiener Neustadt**  
Tel: +43 (0)2622 23501 970  
parker.easteurope@parker.com

**AU – Australia, Castle Hill**  
Tel: +61 (0)2-9634 7777

**AZ – Azerbaijan, Baku**  
Tel: +994 50 2233 458  
parker.azerbaijan@parker.com

**BE/LU – Belgium, Nivelles**  
Tel: +32 (0)67 280 900  
parker.belgium@parker.com

**BR – Brazil, Cachoeirinha RS**  
Tel: +55 51 3470 9144

**BY – Belarus, Minsk**  
Tel: +375 17 209 9399  
parker.belarus@parker.com

**CA – Canada, Milton, Ontario**  
Tel: +1 905 693 3000

**CH – Switzerland, Etoy**  
Tel: +41 (0) 21 821 02 30  
parker.switzerland@parker.com

**CN – China, Shanghai**  
Tel: +86 21 5031 2525

**CZ – Czech Republic, Klecany**  
Tel: +420 284 083 111  
parker.czechrepublic@parker.com

**DE – Germany, Kaarst**  
Tel: +49 (0)2131 4016 0  
parker.germany@parker.com

**DK – Denmark, Ballerup**  
Tel: +45 43 56 04 00  
parker.denmark@parker.com

**ES – Spain, Madrid**  
Tel: +34 902 33 00 01  
parker.spain@parker.com

**FI – Finland, Vantaa**  
Tel: +358 (0)20 753 2500  
parker.finland@parker.com

**FR – France, Contamine s/Arve**  
Tel: +33 (0)4 50 25 80 25  
parker.france@parker.com

**GR – Greece, Athens**  
Tel: +30 210 933 6450  
parker.greece@parker.com

**HK – Hong Kong**  
Tel: +852 2428 8008

**HU – Hungary, Budapest**  
Tel: +36 1 220 4155  
parker.hungary@parker.com

**IE – Ireland, Dublin**  
Tel: +353 (0)1 466 6370  
parker.ireland@parker.com

**IN – India, Mumbai**  
Tel: +91 22 6513 7081-85

**IT – Italy, Corsico (MI)**  
Tel: +39 02 45 19 21  
parker.italy@parker.com

**JP – Japan, Fujisawa**  
Tel: +(81) 4 6635 3050

**KR – South Korea, Seoul**  
Tel: +82 2 559 0400

**KZ – Kazakhstan, Almaty**  
Tel: +7 7272 505 800  
parker.easteurope@parker.com

**LV – Latvia, Riga**  
Tel: +371 6 745 2601  
parker.latvia@parker.com

**MX – Mexico, Apodaca**  
Tel: +52 81 8156 6000

**MY – Malaysia, Subang Jaya**  
Tel: +60 3 5638 1476

**NL – The Netherlands, Oldenzaal**  
Tel: +31 (0)541 585 000  
parker.nl@parker.com

**NO – Norway, Ski**  
Tel: +47 64 91 10 00  
parker.norway@parker.com

**NZ – New Zealand, Mt Wellington**  
Tel: +64 9 574 1744

**PL – Poland, Warsaw**  
Tel: +48 (0)22 573 24 00  
parker.poland@parker.com

**PT – Portugal, Leca da Palmeira**  
Tel: +351 22 999 7360  
parker.portugal@parker.com

**RO – Romania, Bucharest**  
Tel: +40 21 252 1382  
parker.romania@parker.com

**RU – Russia, Moscow**  
Tel: +7 495 645-2156  
parker.russia@parker.com

**SE – Sweden, Spånga**  
Tel: +46 (0)8 59 79 50 00  
parker.sweden@parker.com

**SG – Singapore**  
Tel: +65 6887 6300

**SK – Slovakia, Banska Bystrica**  
Tel: +421 484 162 252  
parker.slovakia@parker.com

**SL – Slovenia, Novo Mesto**  
Tel: +386 7 337 6650  
parker.slovenia@parker.com

**TH – Thailand, Bangkok**  
Tel: +662 717 8140

**TR – Turkey, Istanbul**  
Tel: +90 216 4997081  
parker.turkey@parker.com

**TW – Taiwan, Taipei**  
Tel: +886 2 2298 8987

**UA – Ukraine, Kiev**  
Tel +380 44 494 2731  
parker.ukraine@parker.com

**UK – United Kingdom, Warwick**  
Tel: +44 (0)1926 317 878  
parker.uk@parker.com

**US – USA, Cleveland (industrial)**  
Tel: +1 216 896 3000

**US – USA, Lincolnshire (mobile)**  
Tel: +1 847 821 1500

**VE – Venezuela, Caracas**  
Tel: +58 212 238 5422

**ZA – South Africa, Kempton Park**  
Tel: +27 (0)11 961 0700  
parker.southafrica@parker.com

**European Product Information Centre**  
Free phone: 00 800 27 27 5374  
(from AT, BE, CH, CZ, DE, EE, ES, FI, FR, IE, IT, PT, SE, SK, UK)

**US Product Information Center**  
Free phone: 1-800-272-7537

[www.parker.com](http://www.parker.com)

Your local authorized Parker distributor

