



aerospace
climate control
electromechanical
filtration
fluid & gas handling
hydraulics
pneumatics
process control
sealing & shielding



IQAN-XS2 I/O Modules

Electronic Control Systems



ENGINEERING YOUR SUCCESS.

Application

The IQAN-XS2 is an IQANdesign platform expansion module in the IQAN product group. This unit is designed for high digital I/O count, weather resistance, and safety.

All IQAN expansion modules communicate with a master over a CAN bus. The IQAN-XS2 module has a large number of inputs and outputs that allows the user to have fewer modules for digital signals.

I/O

Inputs

The IQAN-XS2 module has eight voltage inputs for connection of 0-5 Vdc signals. The inputs are multi-purpose and for flexibility may be configured as digital (on-off) inputs.

The unit also has twelve dedicated digital inputs for accepting signals from a variety of switches.

Digital outputs

The IQAN-XS2 module has twelve on-off outputs for controlling on-off "bang-bang" valves. These outputs can control six valve sections or twelve single solenoid devices (ie. cartridge valves).

Weather resistance

The aluminum housing is designed to be rugged, but light and has a sealed, automotive AMP/Tyco power timer connector. The IQAN-XS2 has a membrane to prevent condensation inside the housing. This controller is designed for the outdoor environment.

Safety

The unit executes a self-test during start up and cyclic operation. An internal watch dog checks for software errors and will interrupt outputs if errors are detected. The IQAN-XS2 is made using selected components and conforms to strict international requirements.

Diagnostics: If an error is detected an LED on the top of the controller flashes a sequence to indicate the nature of the error.

General

Weight	0.7 Kg
Temperature range	
Operating, ambient	-40 to +70 °C
Storage, ambient	-40 to +85 °C
Protection	outdoor use
Voltage supply	11- 32 Vdc
Current consumption (idle)	180 mA (28 Vdc) 170 mA (14 Vdc)
Data interface	Parker ICP (IQAN CAN Protocol)

Outputs

Digital outputs	
Type	high side switch
Max load	2 A

Inputs

Voltage inputs	
Signal range	0 - 5 Vdc
Resolution	5 mV
Digital inputs	
Signal high	4 Vdc - V _{BAT}
Signal low	0 - 1 Vdc

Ordering part number

IQAN-XS2	5010017
----------	---------

Environmental protection

EMI

ISO 14982:1998, Radiated emission
EN 55025:2003, Conducted emission
ISO 11452-2:1995, Radiated susceptibility
ISO 11452-4:2001, Conducted susceptibility
ISO 7637-2:2004, Conducted transient
ISO 7637-3:1995, Conducted transient
EN 61000-4-8:1993, Magnetic field

ESD

ISO 10605:2001, ESD

Mechanical environment

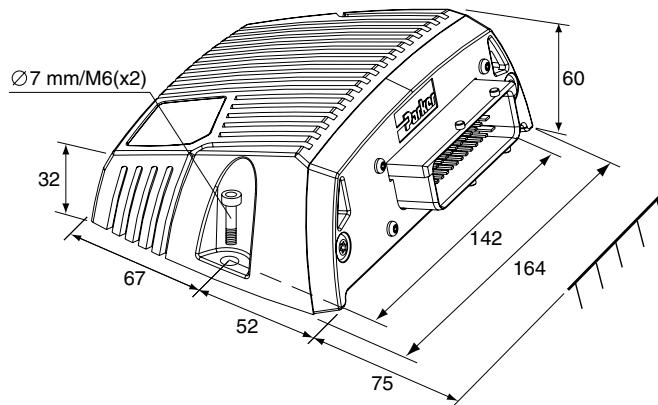
IEC 60068-2-64:1993 Fh, Random vibration
IEC 60068-2-29:1987 Eb, Bump

Climate environment

IEC 60529:2001, Enclosure protection
DIN 40050 Part 9:1993, Enclosure protection
IEC 60068-2-30:1985 Db, Damp heat cyclic
IEC 60068-2-78:2001, Damp heat, steady state
IEC 60068-2-14:1984 Nb, Change of temperature

Chemical environment

IEC 60068-2-52:1996 Kb, Salt mist



unit=mm



WARNING

FAILURE OR IMPROPER SELECTION OR IMPROPER USE OF THE PRODUCTS AND/OR SYSTEMS DESCRIBED HEREIN OR RELATED ITEMS CAN CAUSE DEATH, PERSONAL INJURY AND PROPERTY DAMAGE.

This document and other information from Parker Hannifin Corporation, its subsidiaries and authorized distributors provide product and/or system options for further investigation by users having technical expertise. It is important that you analyze all aspects of your application, including consequences of any failure, and review the information concerning the product or system in the current product catalogue. Due to the variety of operating conditions and applications for these products or systems, the user, through its own analysis and testing, is solely responsible for making the final selection of the products and systems and assuring that all performance, safety and warning requirements of the application are met.

The products described herein, including without limitation, product features, specifications, designs, availability and pricing, are subject to change by Parker Hannifin Corporation and its subsidiaries at any time without notice.

Offer of Sale

Please contact your Parker representation for a detailed "Offer of Sale".

Parker Worldwide

AE – UAE, Dubai
Tel: +971 4 812 7100
parker.me@parker.com

AR – Argentina, Buenos Aires
Tel: +54 3327 44 4129

AT – Austria, Wiener Neustadt
Tel: +43 (0)2622 23501-0
parker.austria@parker.com

AT – Eastern Europe, Wiener Neustadt
Tel: +43 (0)2622 23501 970
parker.easteurope@parker.com

AU – Australia, Castle Hill
Tel: +61 (0)2-9634 7777

AZ – Azerbaijan, Baku
Tel: +994 50 2233 458
parker.azerbaijan@parker.com

BE/LU – Belgium, Nivelles
Tel: +32 (0)67 280 900
parker.belgium@parker.com

BR – Brazil, Cachoeirinha RS
Tel: +55 51 3470 9144

BY – Belarus, Minsk
Tel: +375 17 209 9399
parker.belarus@parker.com

CA – Canada, Milton, Ontario
Tel: +1 905 693 3000

CH – Switzerland, Etoy
Tel: +41 (0) 21 821 02 30
parker.switzerland@parker.com

CN – China, Shanghai
Tel: +86 21 5031 2525

CZ – Czech Republic, Klecany
Tel: +420 284 083 111
parker.czechrepublic@parker.com

DE – Germany, Kaarst
Tel: +49 (0)2131 4016 0
parker.germany@parker.com

DK – Denmark, Ballerup
Tel: +45 43 56 04 00
parker.denmark@parker.com

ES – Spain, Madrid
Tel: +34 902 33 00 01
parker.spain@parker.com

FI – Finland, Vantaa
Tel: +358 (0)20 753 2500
parker.finland@parker.com

FR – France, Contamine s/Arve
Tel: +33 (0)4 50 25 80 25
parker.france@parker.com

GR – Greece, Athens
Tel: +30 210 933 6450
parker.greece@parker.com

HK – Hong Kong
Tel: +852 2428 8008

HU – Hungary, Budapest
Tel: +36 1 220 4155
parker.hungary@parker.com

IE – Ireland, Dublin
Tel: +353 (0)1 466 6370
parker.ireland@parker.com

IN – India, Mumbai
Tel: +91 22 6513 7081-85

IT – Italy, Corsico (MI)
Tel: +39 02 45 19 21
parker.italy@parker.com

JP – Japan, Fujisawa
Tel: +(81) 4 6635 3050

KR – South Korea, Seoul
Tel: +82 2 559 0400

KZ – Kazakhstan, Almaty
Tel: +7 7272 505 800
parker.easteurope@parker.com

LV – Latvia, Riga
Tel: +371 6 745 2601
parker.latvia@parker.com

MX – Mexico, Apodaca
Tel: +52 81 8156 6000

MY – Malaysia, Subang Jaya
Tel: +60 3 5638 1476

NL – The Netherlands, Oldenzaal
Tel: +31 (0)541 585 000
parker.nl@parker.com

NO – Norway, Ski
Tel: +47 64 91 10 00
parker.norway@parker.com

NZ – New Zealand, Mt Wellington
Tel: +64 9 574 1744

PL – Poland, Warsaw
Tel: +48 (0)22 573 24 00
parker.poland@parker.com

PT – Portugal, Leca da Palmeira
Tel: +351 22 999 7360
parker.portugal@parker.com

RO – Romania, Bucharest
Tel: +40 21 252 1382
parker.romania@parker.com

RU – Russia, Moscow
Tel: +7 495 645-2156
parker.russia@parker.com

SE – Sweden, Spånga
Tel: +46 (0)8 59 79 50 00
parker.sweden@parker.com

SG – Singapore
Tel: +65 6887 6300

SK – Slovakia, Banska Bystrica
Tel: +421 484 162 252
parker.slovakia@parker.com

SL – Slovenia, Novo Mesto
Tel: +386 7 337 6650
parker.slovenia@parker.com

TH – Thailand, Bangkok
Tel: +662 717 8140

TR – Turkey, Istanbul
Tel: +90 216 4997081
parker.turkey@parker.com

TW – Taiwan, Taipei
Tel: +886 2 2298 8987

UA – Ukraine, Kiev
Tel: +380 44 494 2731
parker.ukraine@parker.com

UK – United Kingdom, Warwick
Tel: +44 (0)1926 317 878
parker.uk@parker.com

US – USA, Cleveland (industrial)
Tel: +1 216 896 3000

US – USA, Lincolnshire (mobile)
Tel: +1 847 821 1500

VE – Venezuela, Caracas
Tel: +58 212 238 5422

ZA – South Africa, Kempton Park
Tel: +27 (0)11 961 0700
parker.southafrica@parker.com

European Product Information Centre
Free phone: 00 800 27 27 5374
(from AT, BE, CH, CZ, DE, EE, ES, FI, FR,
IE, IT, PT, SE, SK, UK)

US Product Information Center
Free phone: 1-800-272-7537

www.parker.com

Your local authorized Parker distributor

