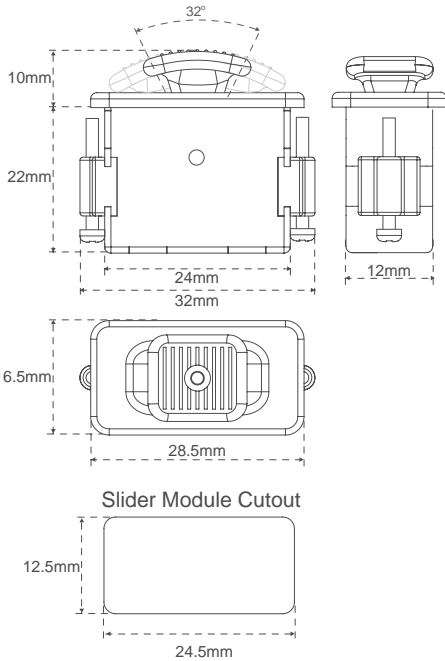


Slider Module

#4-1413 McGill Road
Kamloops B.C. Canada V2C 6K7
Ph: (250) 374-2278

Fax: (250) 374-1099
Toll Free: 1-800-831-2278
www.suregripcontrols.com

SURE GRIP™
CONTROLS INC.



Slider Module Description

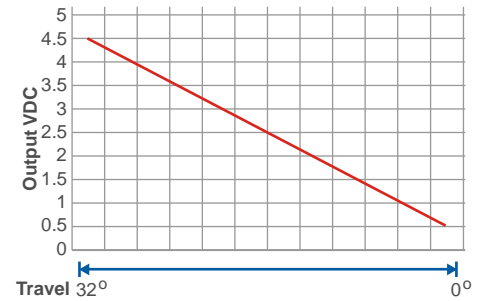
The Slider Module is a Proportional Hall Effect module available in three configurations. These compact proportional modules are designed for applications such as grapples, bucket thumbs, grab and tilt or rotate functions that will benefit from simple speed control.

The 3 position detented version is suitable for a forward-neutral-reverse transmission control while the friction maintained version could be used as a throttle or machine speed control.

1 Single Axis Friction-Maintained

Part #: SM-P1-F

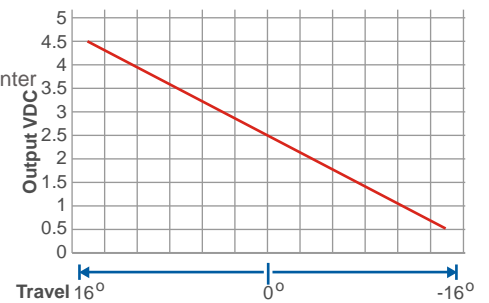
Operation: Friction Maintained
Supply: 5 VDC
Output: 0.5 - 4.5 VDC (+/-0.2)
Load Resistor: 5 K Ω
Travel: 0° - 32°
Rating: IP-66 (above panel)



2 Single Axis-Proportional

Part #: SM-P1

Operation Proportional: Spring return to center
Supply: 5VDC
Output: 0.5 - 2.5 - 4.5 VDC
Load Resistor: 5 K Ω
Travel: +/- 16°
Rating: IP-66 (above panel)



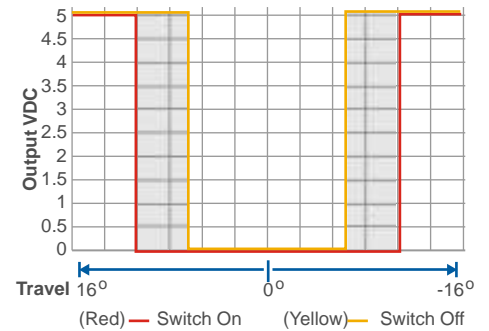
Single Axis Proportional and 3 Position Maintained Slider module are installed in "C" Series control handle



3 3 Position Maintained-Switched

Part #: SM-S1-MA

Operation: 3 position detented (on-off-on)
Supply: 5 - 30 VDC
Output: VDC - 0 - VDC
Load Resistor: 5 K Ω
Travel: detented @ -16° ; 0° ; 16°
Rating: IP-66 (above panel)



4 3 Position Momentary-Switched

Part #: SM-S1-MO

Operation: 3 position (on)-off-(on)
Supply: 5 - 30 VDC
Output: VDC - 0 - VDC
Load Resistor: 5 K Ω
Travel: -16° ; 0° ; 16°
Rating: IP-66 (above panel)

