

550.0060

"S" SERIES HANDLE

Technical Information



SURE GRIPTM
CONTROLS INC.

#4 -1413 McGill Road Kamloops BC Canada V2C 6K7
Ph: 250-374-2278 Fax: 250-374-1099
www.suregripcontrols.com

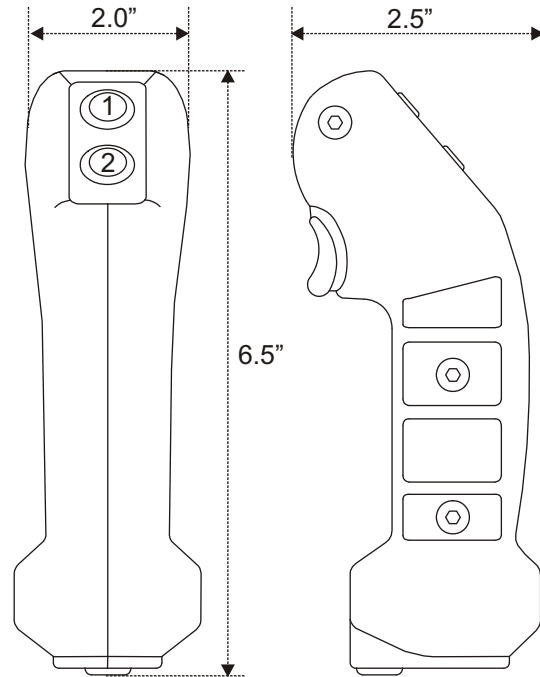
"S" Series Handle Technical Information

"S" Series Handle

The "S" Series Control Grip is the **LOW COST** little brother to the "C and "L" Series that is designed for simple applications that only require several switches.

The cases are molded using a tough **High Impact ABS** polymer into a comfortable compact shape for a rugged yet light weight control grip for **extreme duty applications**.

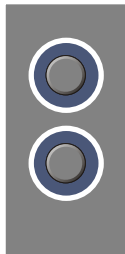
These grips features a switch activation force of only 300 grams and come with a single trigger and 1 or 2 thumb switches. They can also be customized with toggle switches and custom graphics on the faceplate overlay (consult factory).



"S" Handle Faceplate Options

1 Switches

2 Switches



"S" Handle Specifications

- Dimensions:** 6.5" high x 1.75" wide
- Switch Pack:** 1 or 2 buttons or toggle switches, Spade terminals on switches.
- Trigger:** single trigger or blank
- Weight:** 350 grams (8 oz.)
- Overlay:** embossed .007" polyester
- Case:** 1/8" thick, heavy wall ABS, available in grey or black
- Mounting Pin:** 1" diameter, 6061 aluminum
- Wire:** standard 2' @ 22 gauge
- Switch Current Rating:** 5 amps
- Switch Life:** 10 million mechanical
2.5 million @ 500 mA DC (typical)

"S" Series Handle Technical Information

"S" Series Stock Handle Part Number

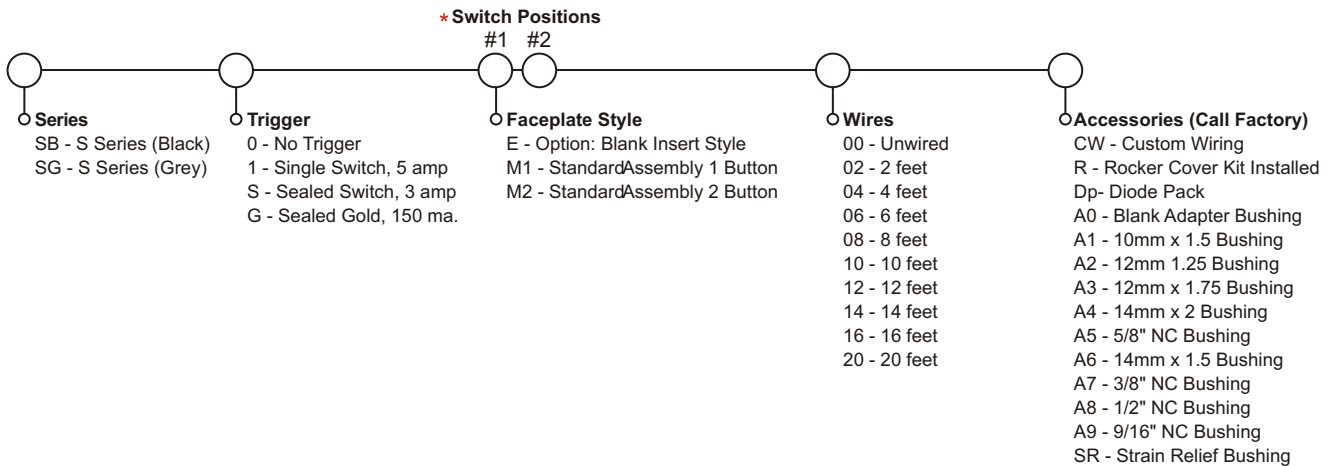
S1-M2-02

- + Single trigger
- + 2 button momentary
- + 2 feet wire
- + Grey cases



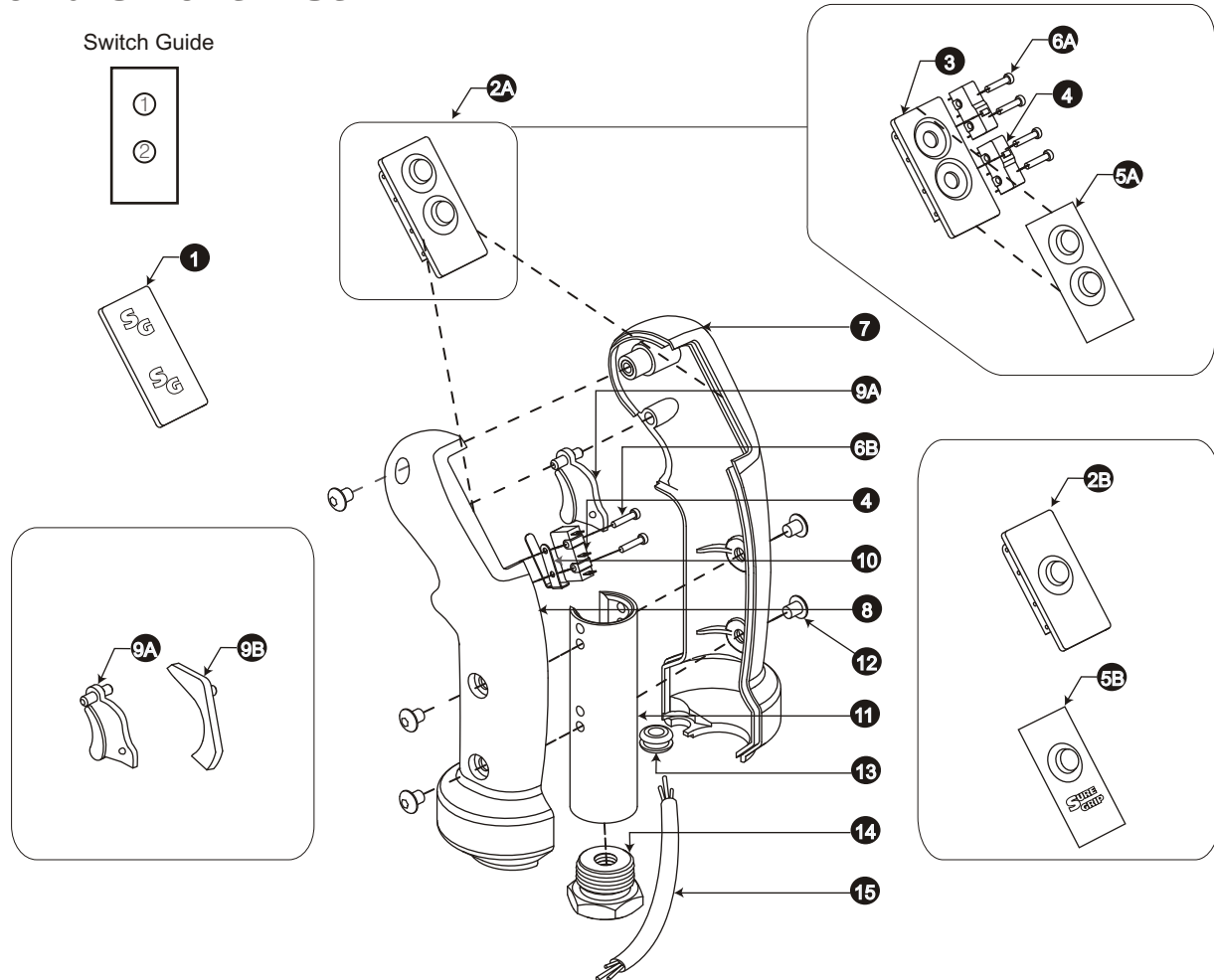
- ① Blank Faceplate
- ② 1 Switch Button Faceplate
- ③ "S" handle with our "JM" and "JL" joystick

"S" Handle Customer Order Guide



"S" Series Handle Technical Information

"S" Handle Part List



FLG	PART#	DESCRIPTION	FLG	PART#	DESCRIPTION
1	S-FP-00	"S" Blank Faceplate	15	S1-M2-W	"S" Handle Wire Harness
2A	S-FP-A2	"S" 2 Function Switch Pack Assy.			
2B	S-FP-A1	"S" 1 Function Switch Pack Assy.			
3	S-FP-01	"S" Empty Faceplate			
4	SW-00	Handle Switch, L/S			
5A	S-ME-A2	"S" Series 2 Button Overlay			
5B	S-ME-A1	"S" Series 1 Button Overlay			
6A	SC-03	2 x 7/16" Tapping Screw - Pan Head (Faceplate)			
6B	SC-21	2 x 9/16" Tapping Screw - Pan Head (Trigger)			
7	S-HL-02-G	"S" Series Handle Case Right - Grey (Black)			
8	S-HL-01-G	"S" Series Handle Case Left - Grey (Black)			
9A	S-TR-01	"S" Series Single Trigger			
9B	S-TR-00	"S" Trigger Insert			
10	LS-00	Leaf Spring for Trigger			
11	PN-03	Mounting Pin "L/S"			
12	SC-02SS	10-32 x 3/8" Capscrew - Button Head			
13	GR-01	3/8" x 1/4" Grommet			
14	BU-00	Adapter Bushing - 1/4" Hole (See Page 15)			