

18mm PROX ENCODER

OVERVIEW

The Joral 18mm Prox Encoder is a non-contact sensor encoder with the look of a proximity switch yet with the power of an encoder.

Packaged in standard 18mm diameter with a threaded barrel finish, these encoders are easy to install and use. You do not need to mechanically couple the encoder to the machine.

The Prox Encoder is a magnetic rotational sensor. A magnet is mounted on the rotating part of the machine and the Prox Encoder is positioned near the magnet. As the magnet rotates the encoder senses the rotation and outputs position.

Joral's proven non-contact 'Hockey Puck' technology combined with surface-mount electronics results in an incredibly small and convenient package.

FEATURES

- Fully Sealed
- True Non-Contact
- Standard Sensor Styles
- LED Indicators
- Incredibly Small Package
- Convenient Flying-lead Cable
- Incremental and Absolute Position
- No Shaft or Bearings
- Magnet Assemblies available



18mm Prox Encoder
Mfg#-GS10414-181

SPECIFICATIONS

Housing Diameter
18mm

Height
45mm

Mounting
18mm thread (standard prox thread)

Weight
3.0 oz typical with mounting nuts and cable

Enclosure Rating
IP68

Voltage
6 to 30 VDC

Operating Temperature
-25° C to +80° C (-13° F to 176° F)

Output
7272 Push-Pull : 40mA sink or source

LED Indicators
Power, A, B, Z, Angle

18mm PROX ENCODER

Single Magnet Solutions*

Non-Contact means that you do not have to mechanically couple the encoder to your machine. You are able to mount a magnet on a non-ferrous material on the end of your rotating shaft and install the center of the encoder in the front of the magnet. The 18mm Encoder senses the rotating magnet without touching it.

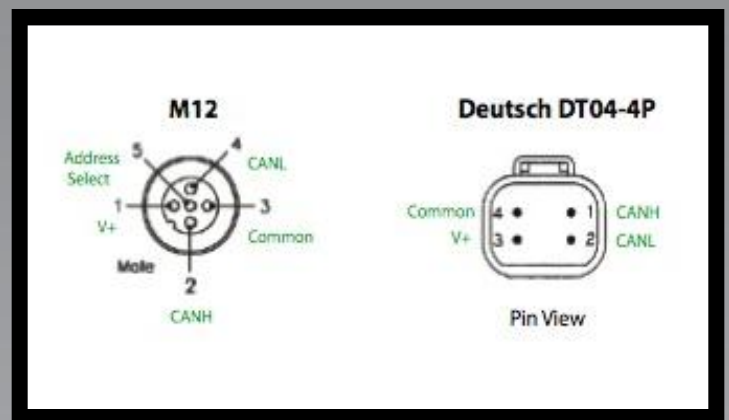
A single magnet solution is typically used when the distance from the encoder to the magnet can be held close together to within a few tenths of an inch.

*For more information regarding magnet solutions, please contact GSNA.



CONNECTIONS*

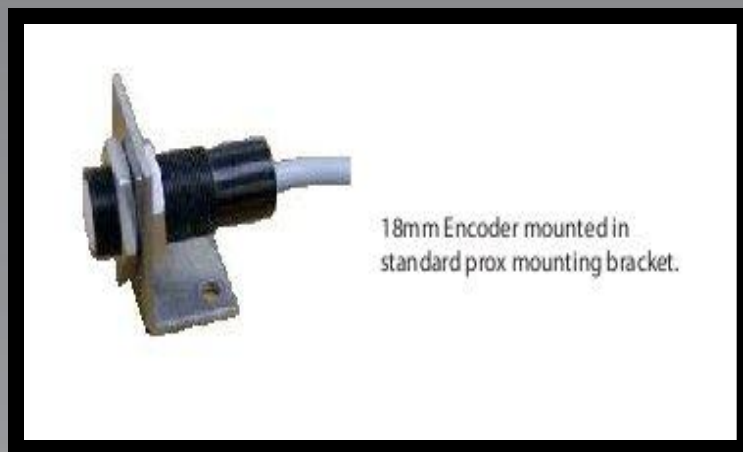
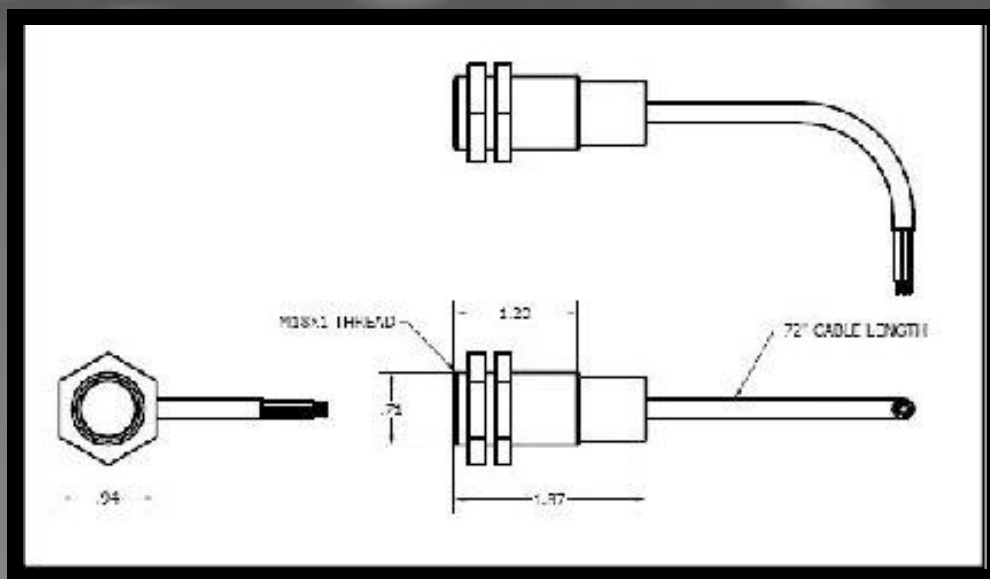
Signal	M12 Pin #	Deutsch Pin #
V +	1	3 (red)
CANH	2	1 (yel)
Common	3	4 (blk)
CANL	4	2 (grn)
Address Select (optional)	5	-



*A variety of alternate connections are available.

18mm PROX ENCODER

HOUSING



!!!!!!!!!!!!!!WARNING!!!!!!!!!!!!!!

FAILURE OR IMPROPER SELECTION OR IMPROPER USE OF THE PRODUCT AND/OR SYSTEMS DESCRIBED HEREIN OR RELATED ITEMS CAN CAUSE DEATH, PERSONAL INJURY AND PROPERTY DAMAGE

This document and other information from GS North America LLC its subsidiaries and authorized distributors provide product and/or system options for further investigations by users having technical expertise. It is important that you analyze all aspects of your application, including consequences of any failure, and review the information concerning the products or systems, the user, through its own analysis and testing, is solely responsible for making the final selection of the products and systems and assuring that all performance, safety and warning requirements of the application are met. The products described herein, including without limitation, product features, specifications, designs, availability and pricing, are subject to change by GS North America LLC and its subsidiaries at any time without notice