

## 58mm PROX ENCODER

### OVERVIEW

The Joral 58mm Hockey Puck housing provides an extremely durable enclosure in a standard 58mm diameter package.

The housing provides for a fully sealed electronics package to protect the encoder from the harsh environment.

Our clear potting compound allows the power and status LEDs to shine through. The housing is made from Delrin, a tough engineered material providing chemical resistance and very low water absorption.

This encoder is great for wash-down applications, outdoor and off-road vehicle applications and other applications where harsh environmental conditions exist.

### SPECIFICATIONS

#### Housing Diameter

58mm

#### Housing Height

0.75" body; 1.5" with M12 Connector

#### Mounting

60.128" with mounting holes

#### Weight

2.6 oz

#### Enclosure Rating

IP68 typical; varies with connection type



**58mm Prox Encoder**  
**Mfg#-GS10414-501**

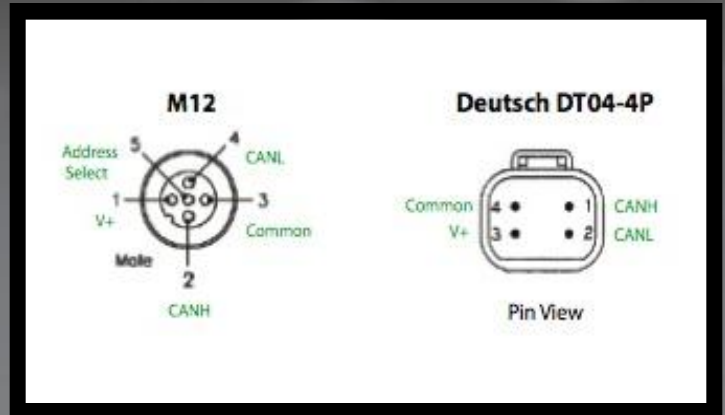
### FEATURES

- Fully Sealed
- True Non-Contact
- Standard Packaging Style
- LED Indicators
- Bullet Proof Electronics
- Patent Pending
- CAN Bus Interface
- 0° to 360° Absolute Position
- 1,000 Positions per Rotation
- 32 Incremental Counter
- Adjustable Home Position
- RPM Output

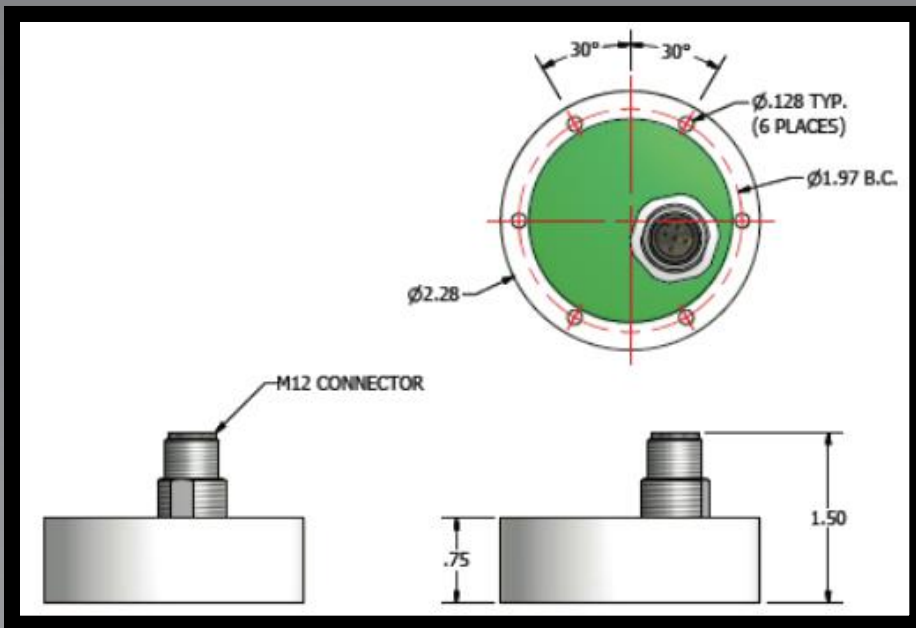
# 58mm PROX ENCODER

## CONNECTIONS

Signal	M12 Pin #	Deutsch Pin #
V +	1	3 (red)
CANH	2	1 (yel)
Common	3	4 (blk)
CANL	4	2 (grn)
Address Select (optional)	5	-



## HOUSING



### Fully Sealed Electronics

The Joral housing is designed so that all the electronics are sealed and secure. The above cut-away shows the inside electronics safe within the potting compound.

!!!!!!!!!!!!!!WARNING!!!!!!!!!!!!!!

**FAILURE OR IMPROPER SELECTION OR IMPROPER USE OF THE PRODUCT AND/OR SYSTEMS DESCRIBED HEREIN OR RELATED ITEMS CAN CAUSE DEATH, PERSONAL INJURY AND PROPERTY DAMAGE**

This document and other information from GS North America LLC its subsidiaries and authorized distributors provide product and/or system options for further investigations by users having technical expertise. It is important that you analyze all aspects of your application, including consequences of any failure, and review the information concerning the products or systems, the user, through its own analysis and testing, is solely responsible for making the final selection of the products and systems and assuring that all performance, safety and warning requirements of the application are met. The products described herein, including without limitation, product features, specifications, designs, availability and pricing, are subject to change by GS North America LLC and its subsidiaries at any time without notice