



**Transmitter Specification**

**Temperature Range:**

- -40°F to 185°F (-40°C to 85°C)

**Environmental Protection:**

- IP66 and NEMA 4 Transmitter

**Operation Range:**

- Non-Licensed Part 15 Up to 300 feet (91.44 m)
- Non-Licensed FHSS Up to 3000 feet (914.4 m)

**Frequency Range:**

- Non-Licensed Part 15 430-439.8 MHz / 902-928 MHz
- Non-Licensed FHSS 902-928 MHz / 2.4-2.5 GHz
- Government Band 405-430 MHz

**Output Power:**

- Non-Licensed Part 15 Less than 1mW
- Non-Licensed FHSS 10 mW, 100 mW, 200 mW
- Government Band 1mW

**RF Channels**

- Non-Licensed Part 15 32 channels
- Non-Licensed FHSS 32 channels
- Government Band Up to 1000 frequencies

**Antenna:**

- Internal
- External Optional

**RF Type:**

- TMS (Time Multiplexed Signaling)
- FHSS (Frequency Hopping Spread Spectrum)
- Microprocessor Controlled PLL synthesizer
- Transceiver

**Response Time:**

- Approximately 50 ms

**Test & Certifications:**

- FCC Approved Part 15, Part 90
- IEC 68-2-34 Random Vibration
- IEC 68-2-27 Shock Testing
- IEC 68-2-31 Drop & Topple
- SAE 1211 Dust Testing

**Graphic Display:**

- Backlit display
- 2" x 1.22" (51 x 31 mm)
- Multilingual with standard ACSII characters

**Weight:**

- Approximately 1.5 lbs (1.13 kg)

**Dimensions:**

- Approximately 6.5" x 4.9" x 4.6" (165 x 125 x 117 mm)

**Transmitter Component Specifications**

**A total of 8 inputs are available for analog components.**

**Joystick:**

- Dual Axis stepless/proportional, up to 4 per transmitter
- Optional stepless/proportional third Axis, 2 per transmitter (IP65)
- Square Gate standard, Plus Gate optional

**Potentiometers:**

- Single turn

**A total of 15 Toggle Switches or 30 inputs are available for digital components.**

**Toggle Switch:**

- 2 position momentary
- 2 position maintained
- 3 position momentary
- 3 position maintained
- 3 position maintained/momentary

**Push Button:**

- Momentary
- Red, Green, Blue, Black, Yellow

**E-STOP:**

- Military Grade Push/Pull

**LED:**

- Red, Yellow, Green, up to 4 per transmitter

**Rotary Switch:**

- Up to 12 positions per switch

**Key Switch:**

- 3 position maintained/momentary
- 2 position maintained

**USB:**

- Programming Port, Optional

**Infrared Port:**

- Programming Port, Optional

**Labeling:**

- Custom labels per application
- Multilingual
- Multi-Color

**Note: Other components (joysticks, switches, potentiometers, etc.) may be available upon request. Consult the factory for compatibility.**



**MAGNETEK**  
E N R A N G E

# **PulseStar™ MBT**

*Technical Specifications*

## **Battery and Charger**

### **Battery Type:**

- *Rechargeable:* 3.6 V NiMH, 3Cell Pack, 2100 mAh
- *Disposable:* Three AA Alkaline Pack, 2300 mAh

### **Service Life:**

- *Rechargeable:* 500 cycles

### **Battery Contacts:**

- Gold Plated

### **Battery Chargers:**

- Maximum 3 chargers per power supply

**\*\* Note: Charger will only work with rechargeable pack \*\***

### **Battery Charge Time:**

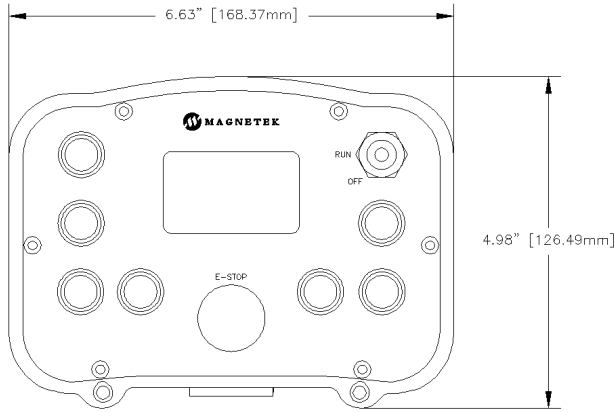
- Fast Charge: approx. 2-3 hours

### **Charger Power:**

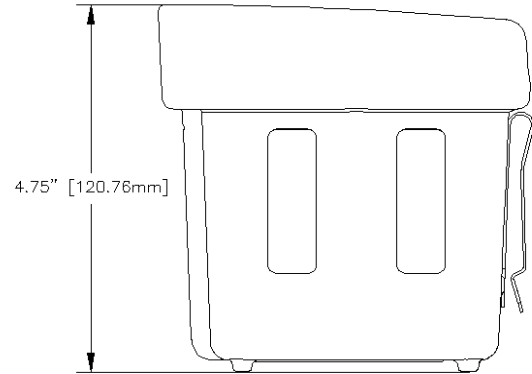
- 120 Vac 60 Hz, 12/24 Vdc



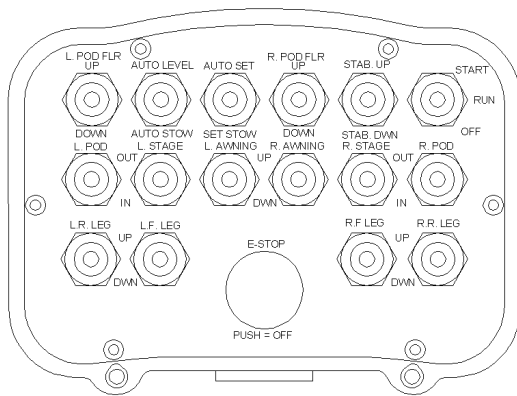
**TYPICAL APPLICATION LAYOUTS**



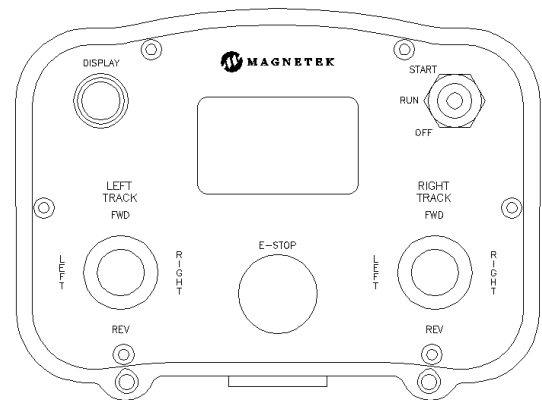
**MBT Configuration with Pushbuttons**



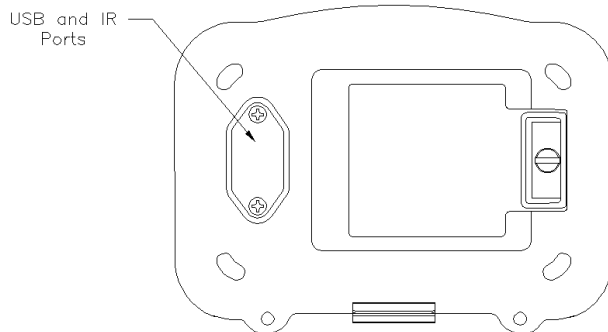
**MBT Side View**



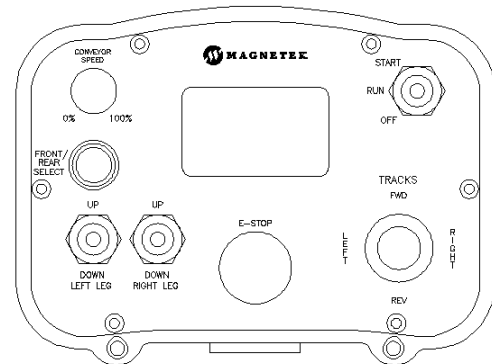
**MBT with 16 Toggles**



**MBT with 2 Joysticks**



**IR and USB Port Location**



**MBT with Assorted Components**